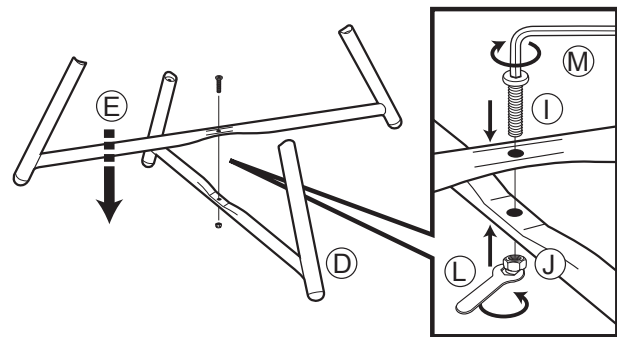
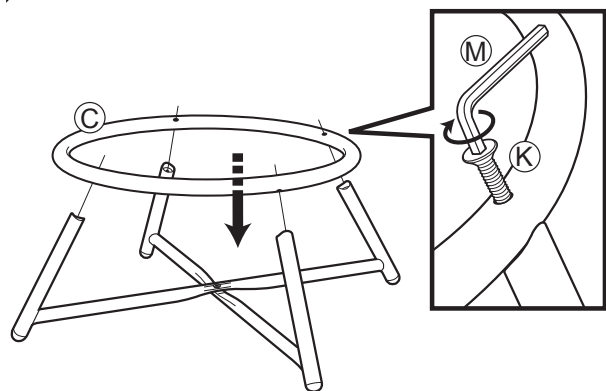


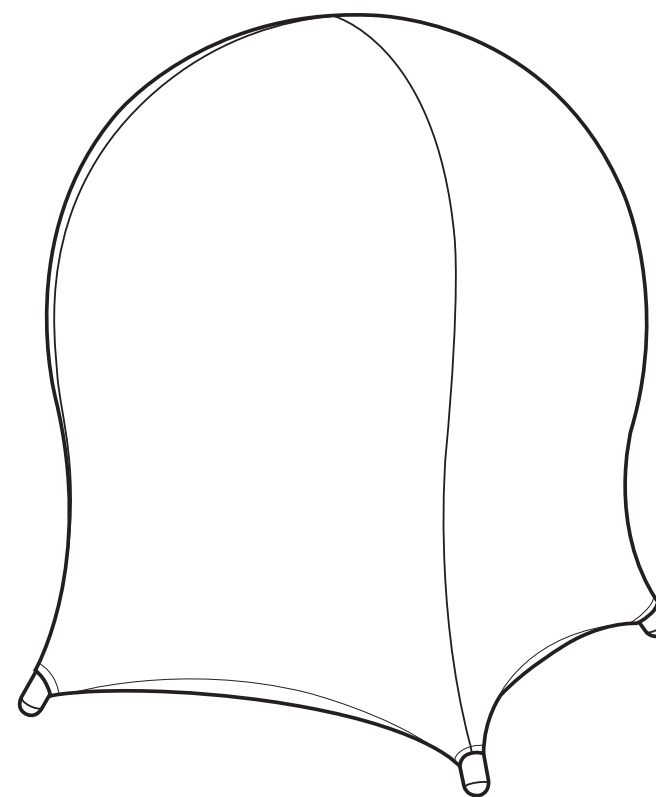
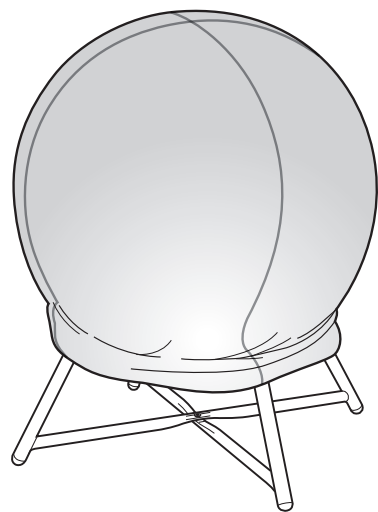
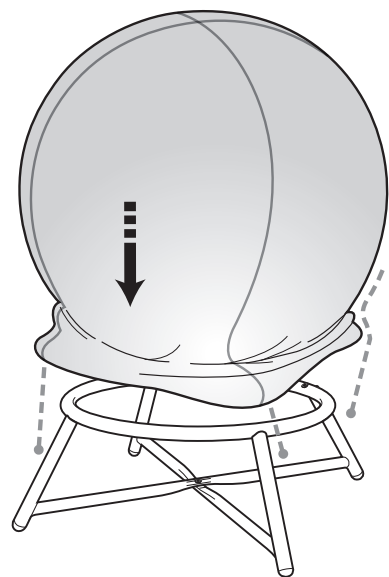
4



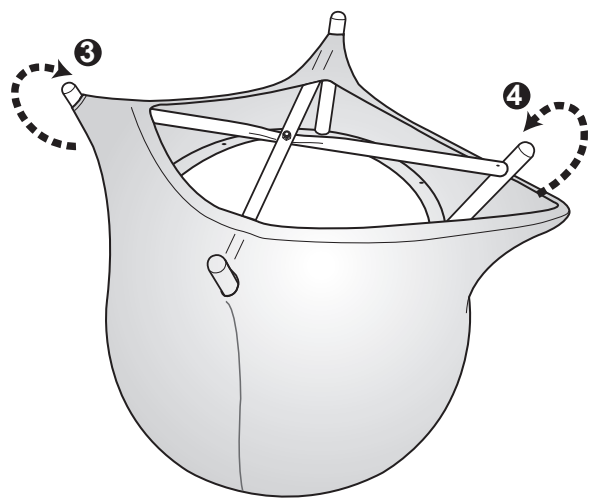
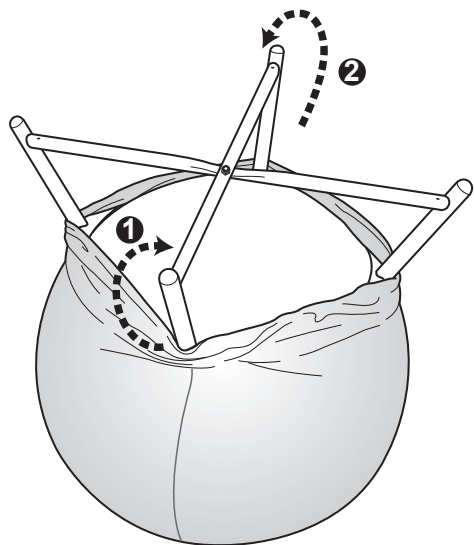
5

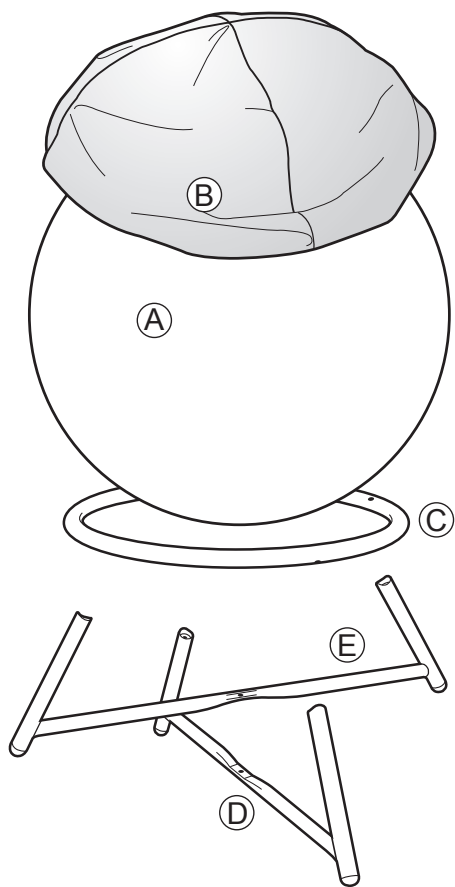


6

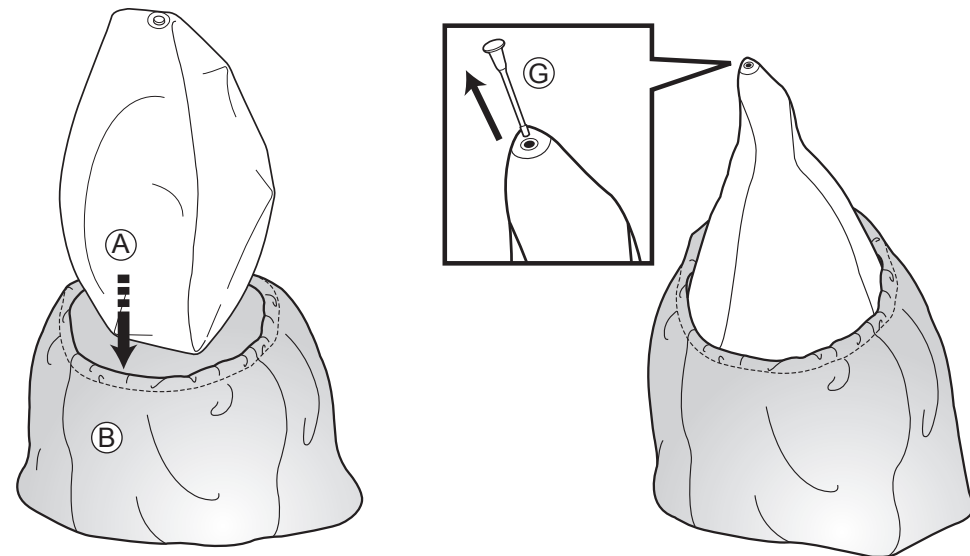


7

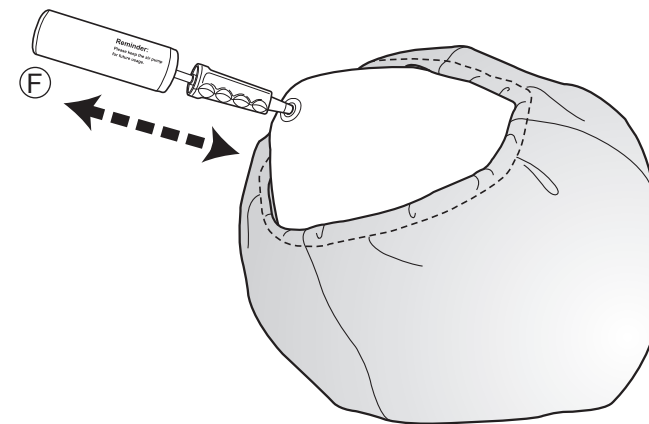




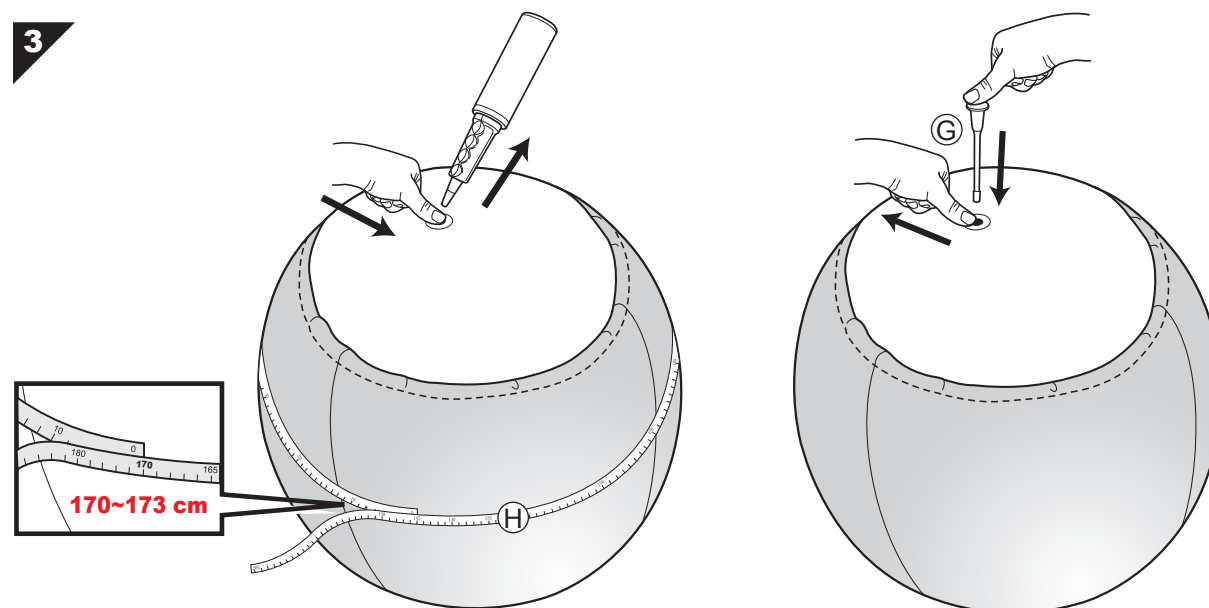
1



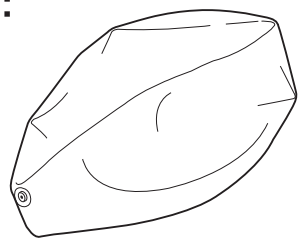
2



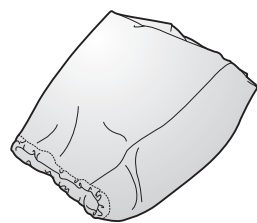
3



Parts:



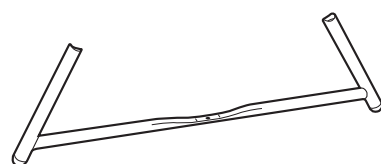
A x1



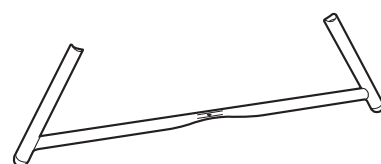
B x1



C x1



D x1



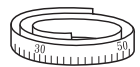
E x1



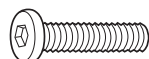
F x1



G x2



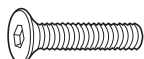
H x1



I x1



J x1



K x4



L x1



M x1

Note: please keep the spare pin G and the pump F for further use.